

## Mistral Hood 36"

36" Satin finish stainless steel

Hoods

Code: 2464 901

Ceiling suction hood

4 speed

Remote control



### DETAILS

Required pairings For this product to work, it is essential to combine it with 2459 931 or 2459 941

Hood type Ceiling suction hood

Hood finishing 2464 901: Satin Finish stainless steel  
2464 951: White painted steel

Dimensions 35<sup>7</sup>/<sub>16</sub>" x 17<sup>21</sup>/<sub>64</sub>"

Cut out 34<sup>1</sup>/<sub>16</sub>" x 15<sup>15</sup>/<sub>16</sub>"

Lighting 2x6.5W LED Strip

Control Remote

Delay off timer Yes

**Motor** Not included - External motor required

---

**Motor Speed** 4 speed functioning

---

Electrical requirements 120VAC – 60Hz

---

**Notes:**

---

False ceiling Required

---

Minimum height 10 <sup>5</sup>/<sub>8</sub>"

---

**Accessories** Charcoal filters kit - 9700 901

---

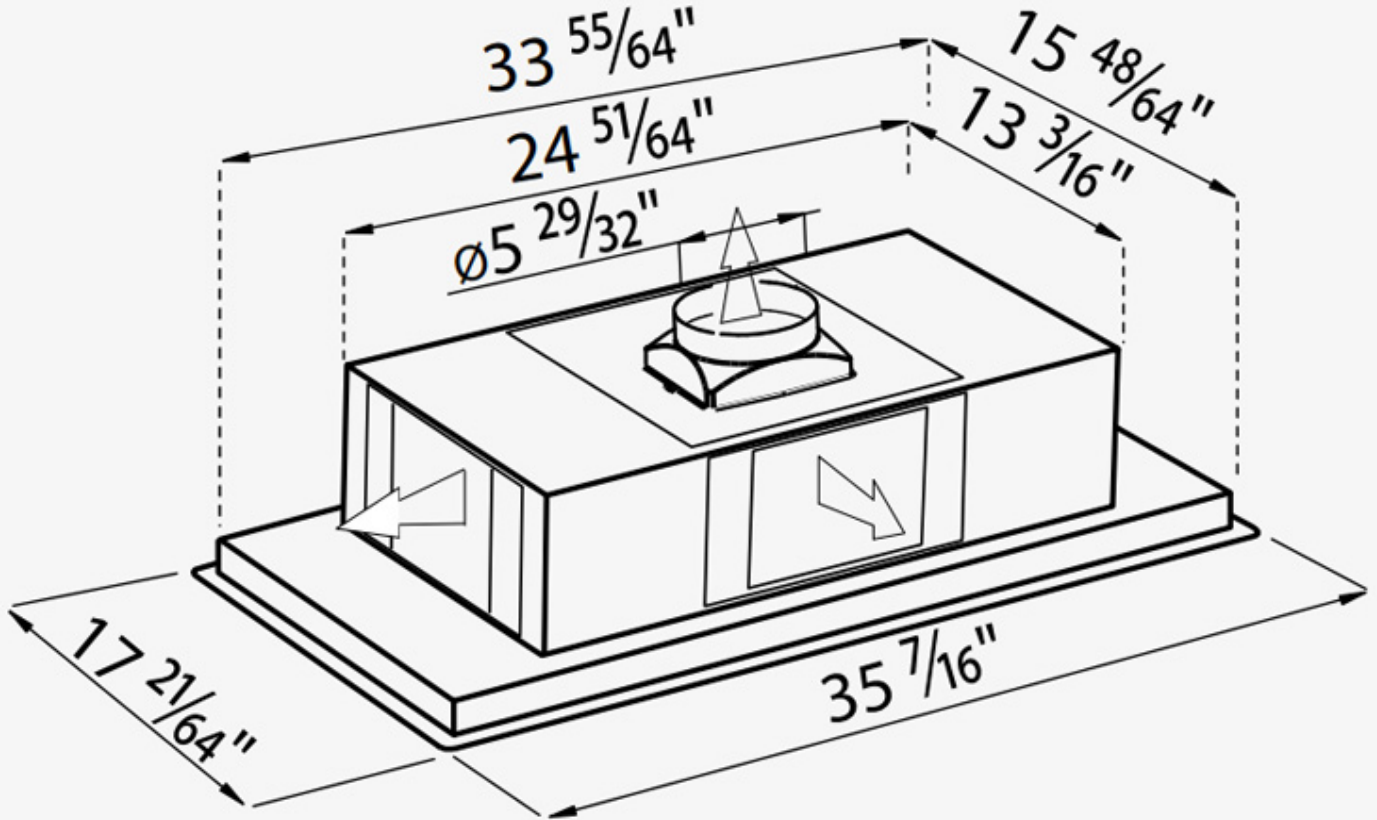
**Certifications** CSA Certified for US & Canada

---

**Notes:** For proper operation of this product, it is essential to combine it with 2459 931 or 2459 941.

---

## TECHNICAL DATA



## GALLERY



## RECOMMENDED PAIRINGS



**Motor for indoor installation**  
2459 941



**Motor for outdoor installation**  
2459 931